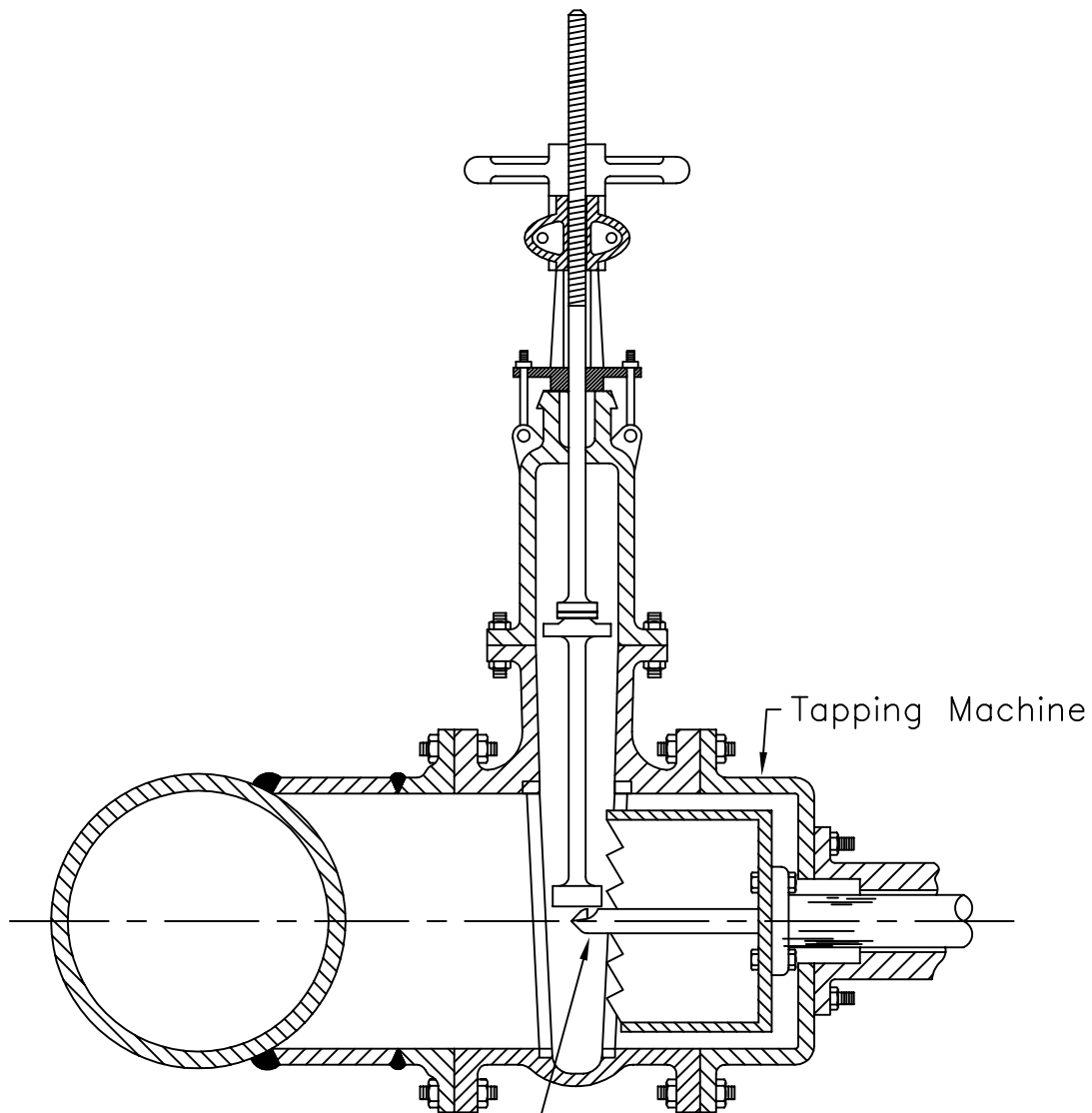




© Copyright 2000

TAPPING TRAPS No. 2

VALVE NOT DEEP ENOUGH FOR CUTTING EQUIPMENT



Gate hits pilot drill
Cannot remove machine

PT-031
5/15/12