



© Copyright 2000

# SMALL HOT TAPPING MACHINE 1" THRU 4"

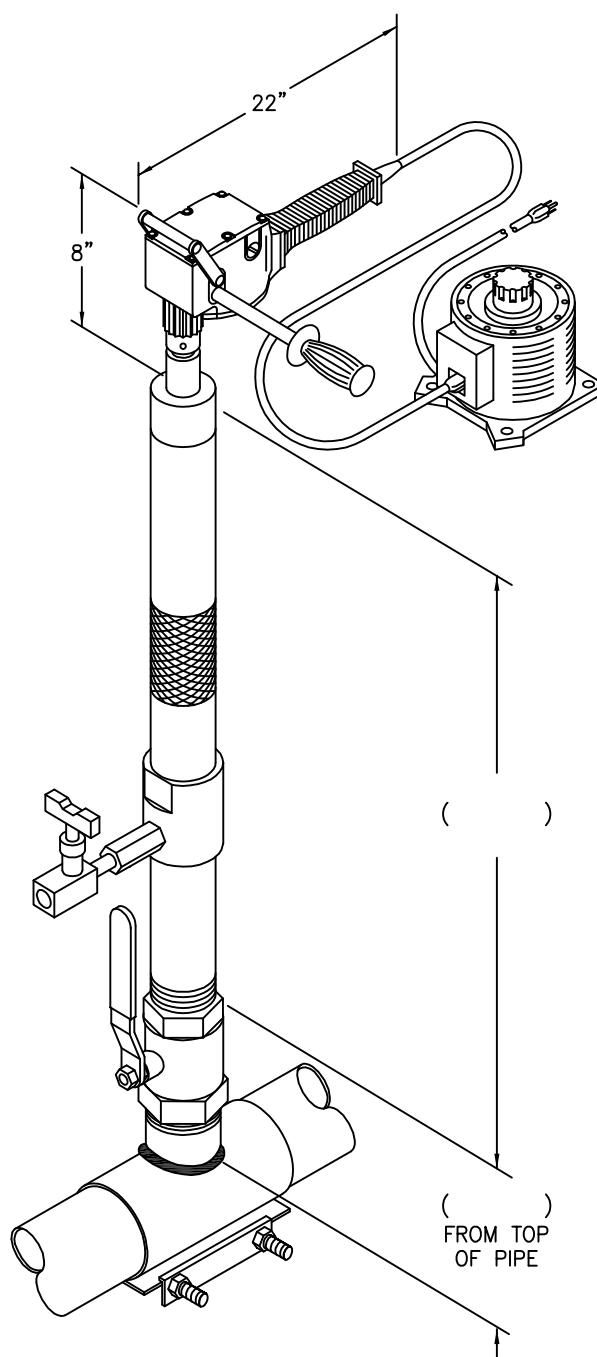
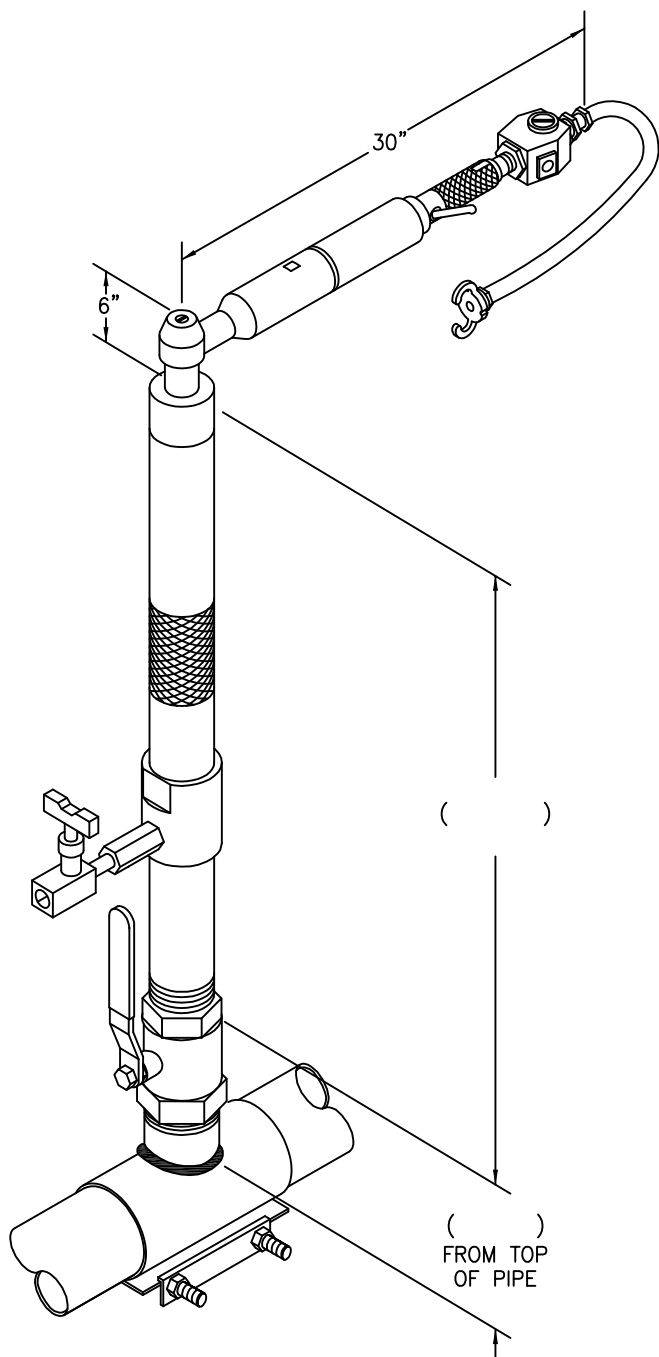
SCREWED OUTLET (BOLT-ON) WITH BALL VALVE  
USING PTI SERIES 5442 STAINLESS STEEL TAPPING SLEEVE  
& POWER SOURCE

**NOTE:** Tapping sleeve is rated for 125 P.S.I. at 180° max.

MAIN SIZE \_\_\_\_\_ X OUTLET SIZE \_\_\_\_\_

AIR MOTOR: 100 C.F.M. AT 100 P.S.I.

ELECTRIC MOTOR: 110V



PT-029  
5/15/12