

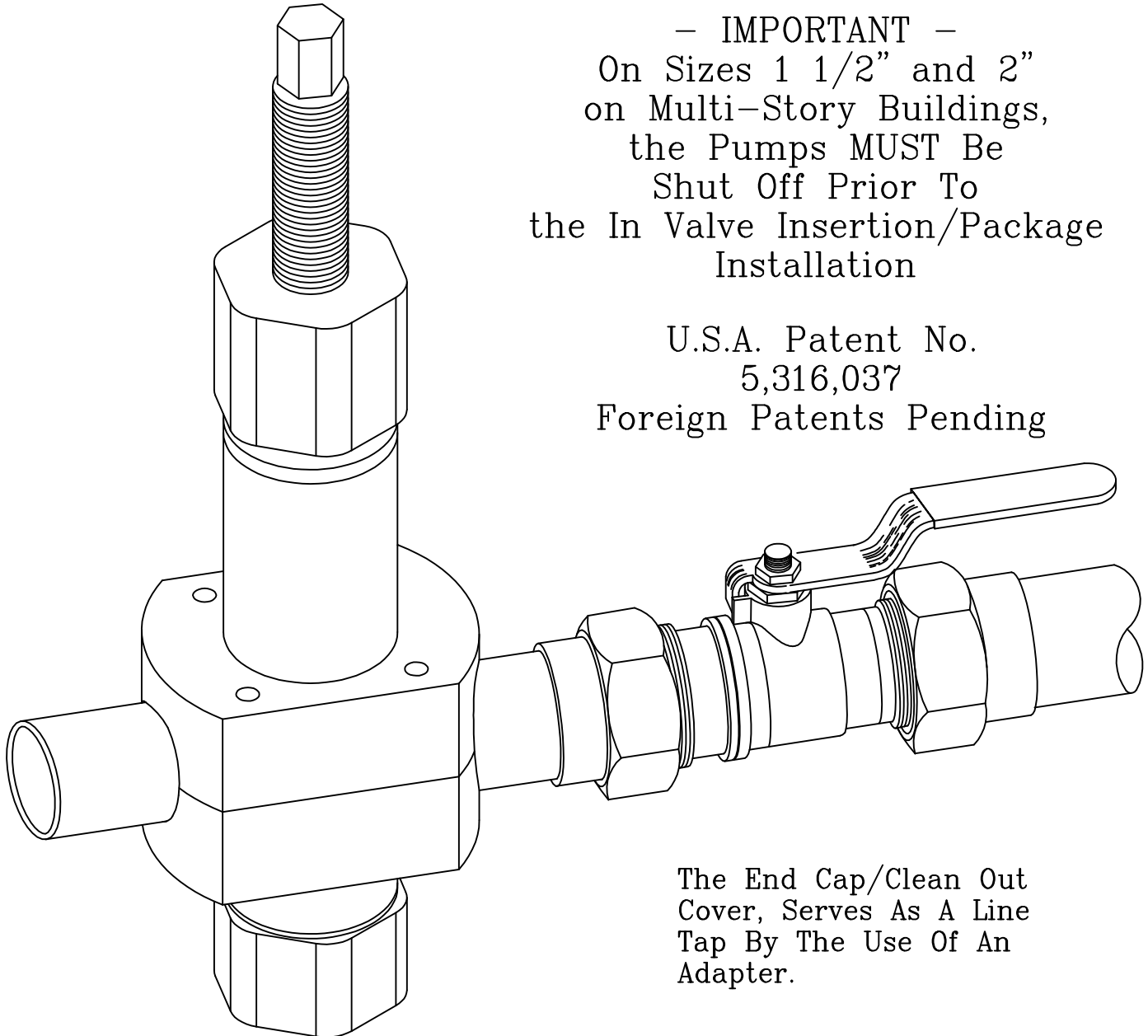


© Copyright 2000

VALVE INSERTION[®] 1/2" THROUGH 2"

– IMPORTANT –
On Sizes 1 1/2" and 2"
on Multi-Story Buildings,
the Pumps MUST Be
Shut Off Prior To
the In Valve Insertion/Package
Installation

U.S.A. Patent No.
5,316,037
Foreign Patents Pending



The End Cap/Clean Out
Cover, Serves As A Line
Tap By The Use Of An
Adapter.

A Defective Valve may be replaced or a New Ball Valve may be installed on Hot (180°F) or Cold Water, including Hot or Chilled H₂O Glycol Systems, under pressure, from 0 to 200 PSI, on M, L, K or *Metric copper tubing in 30 minutes or less (*Specify).

PT-016
5/15/12