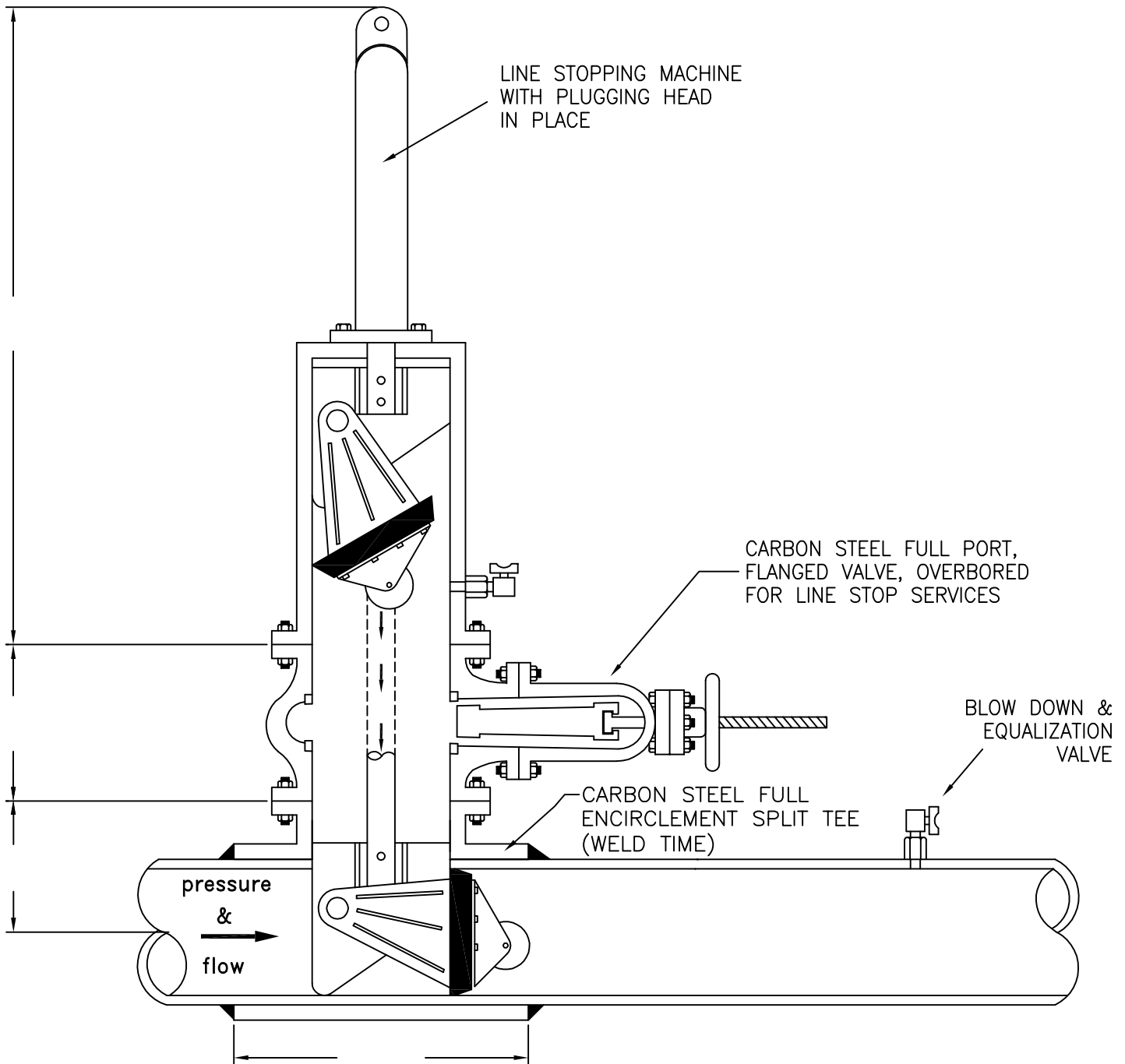




# LINE STOPPING MACHINE WITH LINE STOPPING PLUG IN PLACE

NOTE:  
NO WELDS INSIDE NOZZLES OF  
HOT TAP OR LINE STOP FITTINGS



EQUIPMENT WEIGHT: LBS +/-

PT-014  
5/15/12