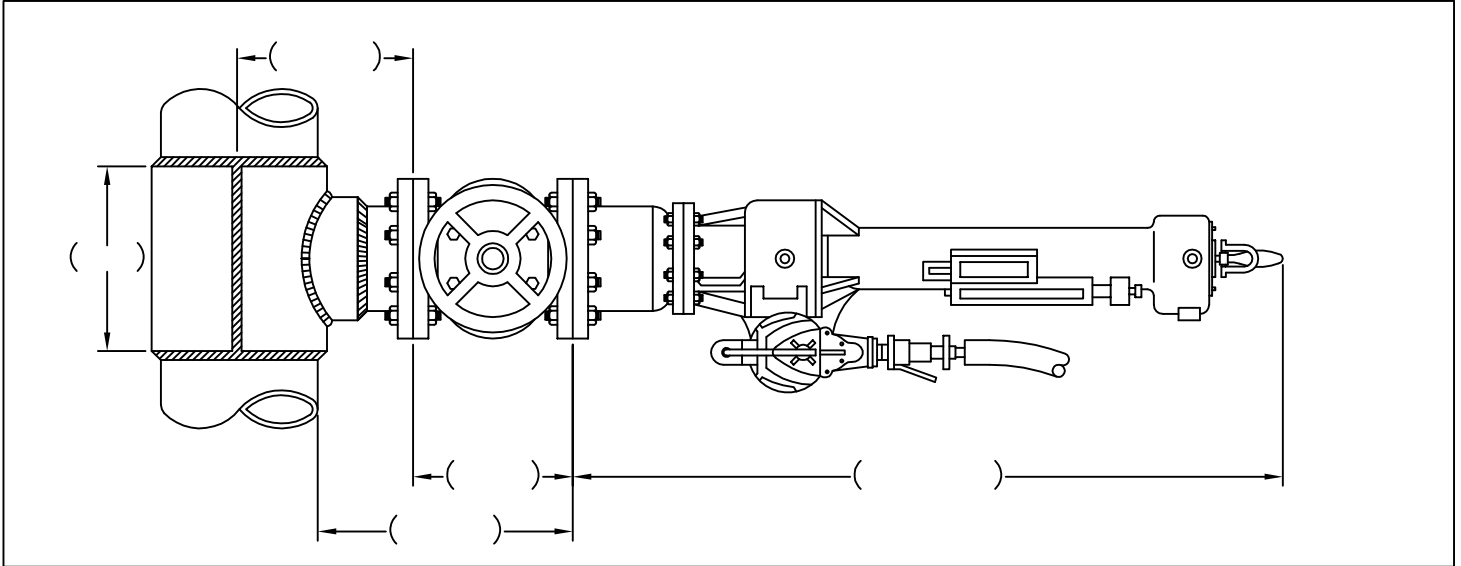




LARGE HOT TAPPING MACHINE  
 6" THRU 20"  
 FLANGED OUTLET WITH FULL ENCIRCLEMENT FITTING  
 & POWER SOURCE

NOTE:  
NO WELDS INSIDE NOZZLES OF  
HOT TAP OR LINE STOP FITTINGS

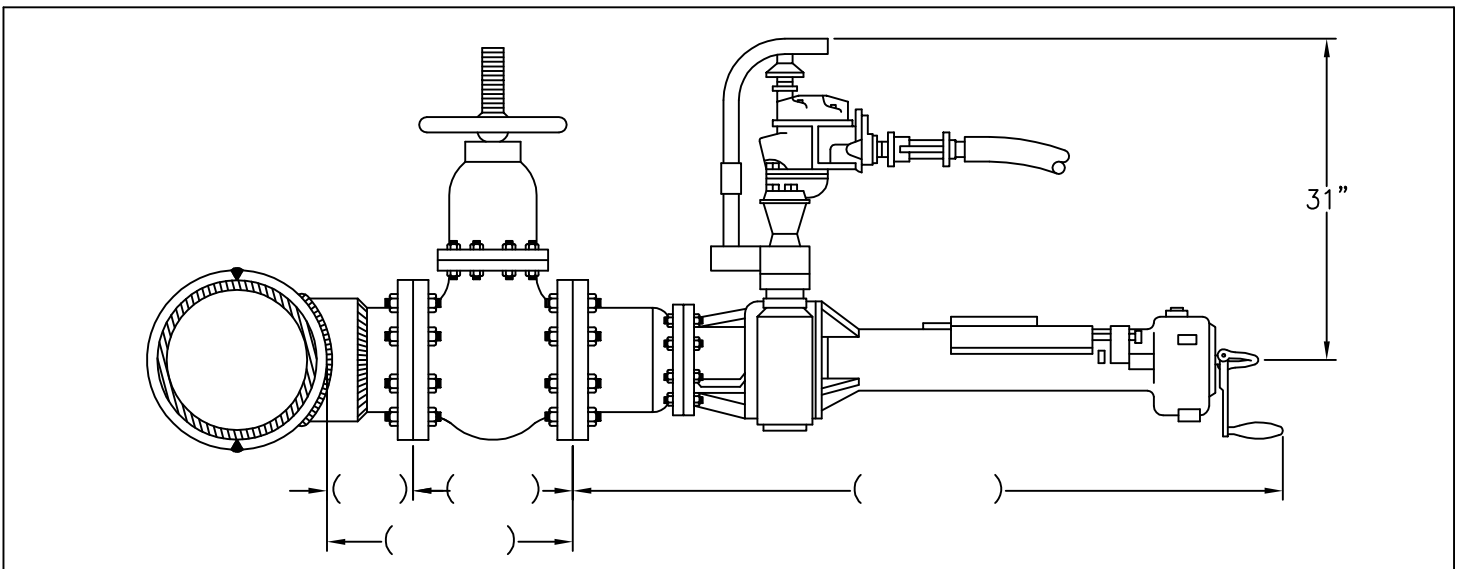
TOP VIEW



MAIN SIZE \_\_\_\_\_ X OUTLET SIZE \_\_\_\_\_

TAPPING MACHINE WEIGHT \_\_\_\_\_

SIDE VIEW



PT-006  
 5/15/12