



# SMALL HOT TAPPING MACHINE 1" THRU 4"

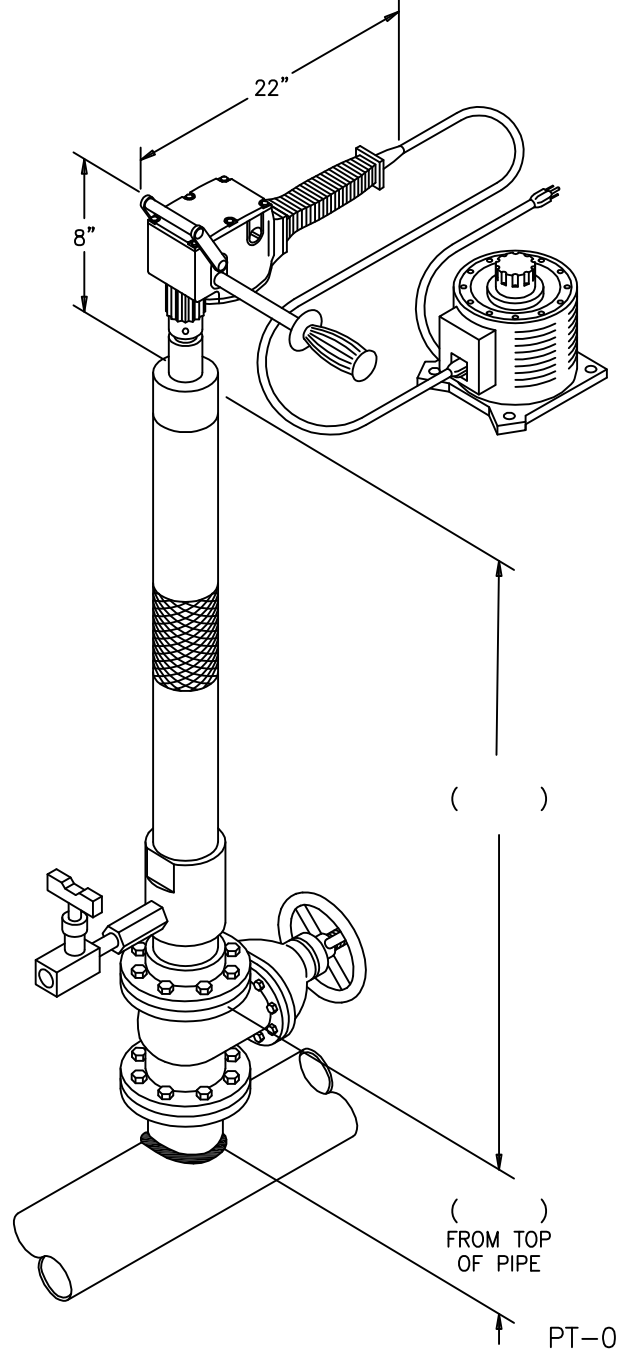
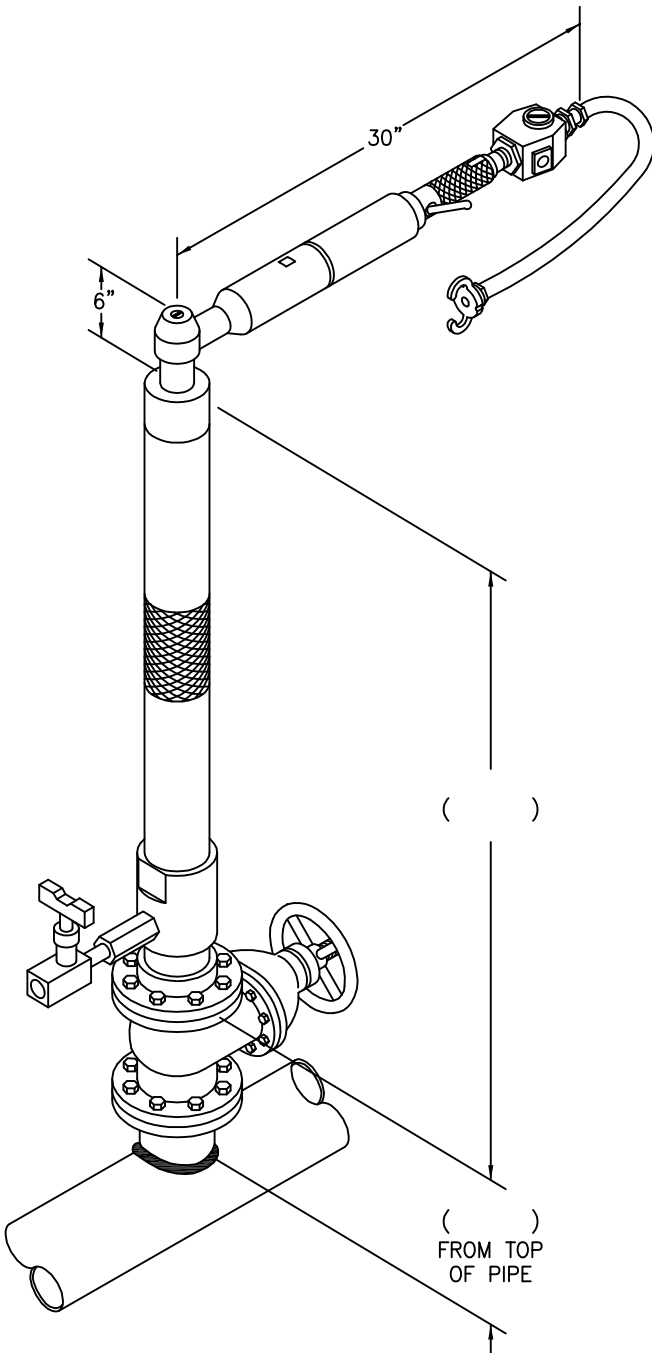
FLANGED OUTLET (WELD TYPE) WITH GATE VALVE  
& POWER SOURCE

NOTE:  
NO WELDS INSIDE NOZZLES OF  
HOT TAP OR LINE STOP FITTINGS

MAIN SIZE \_\_\_\_\_ X OUTLET SIZE \_\_\_\_\_

AIR MOTOR: 100 C.F.M. AT 100 P.S.I.

ELECTRIC MOTOR: 110V



( )

( )

( )  
FROM TOP  
OF PIPE

( )  
FROM TOP  
OF PIPE

PT-002  
5/15/12