



© Copyright 2000

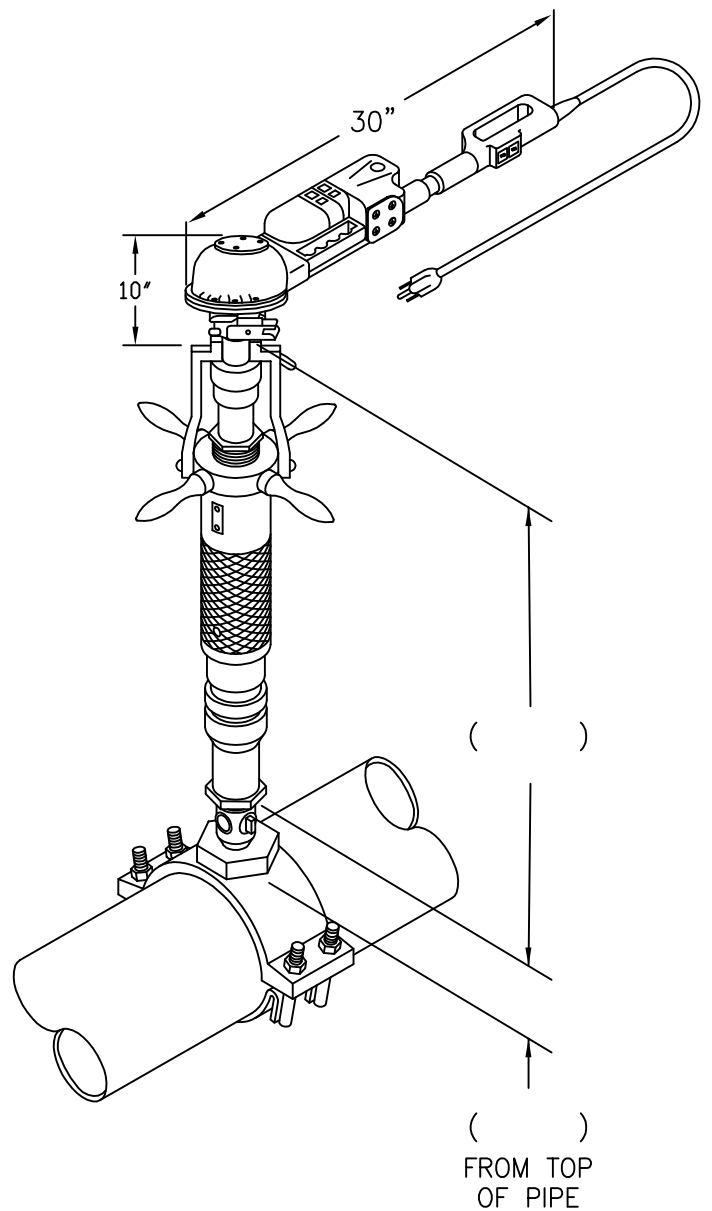
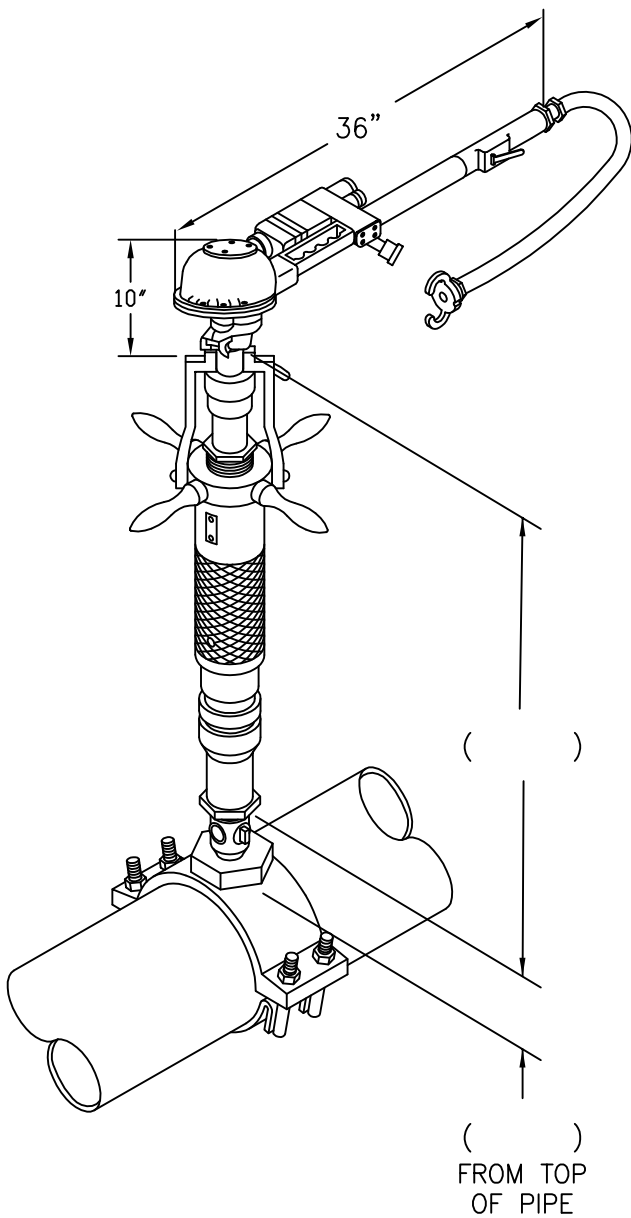
SMALL WET TAPPING MACHINE 3/4" THRU 2"

WITH TAPPING SADDLE & CORPORATION BALL VALVE
& POWER SOURCE

MAIN SIZE _____ X OUTLET SIZE _____

AIR MOTOR: 100 C.F.M. AT 100 P.S.I.

ELECTRIC MOTOR: 110V



PT-001
5/15/12