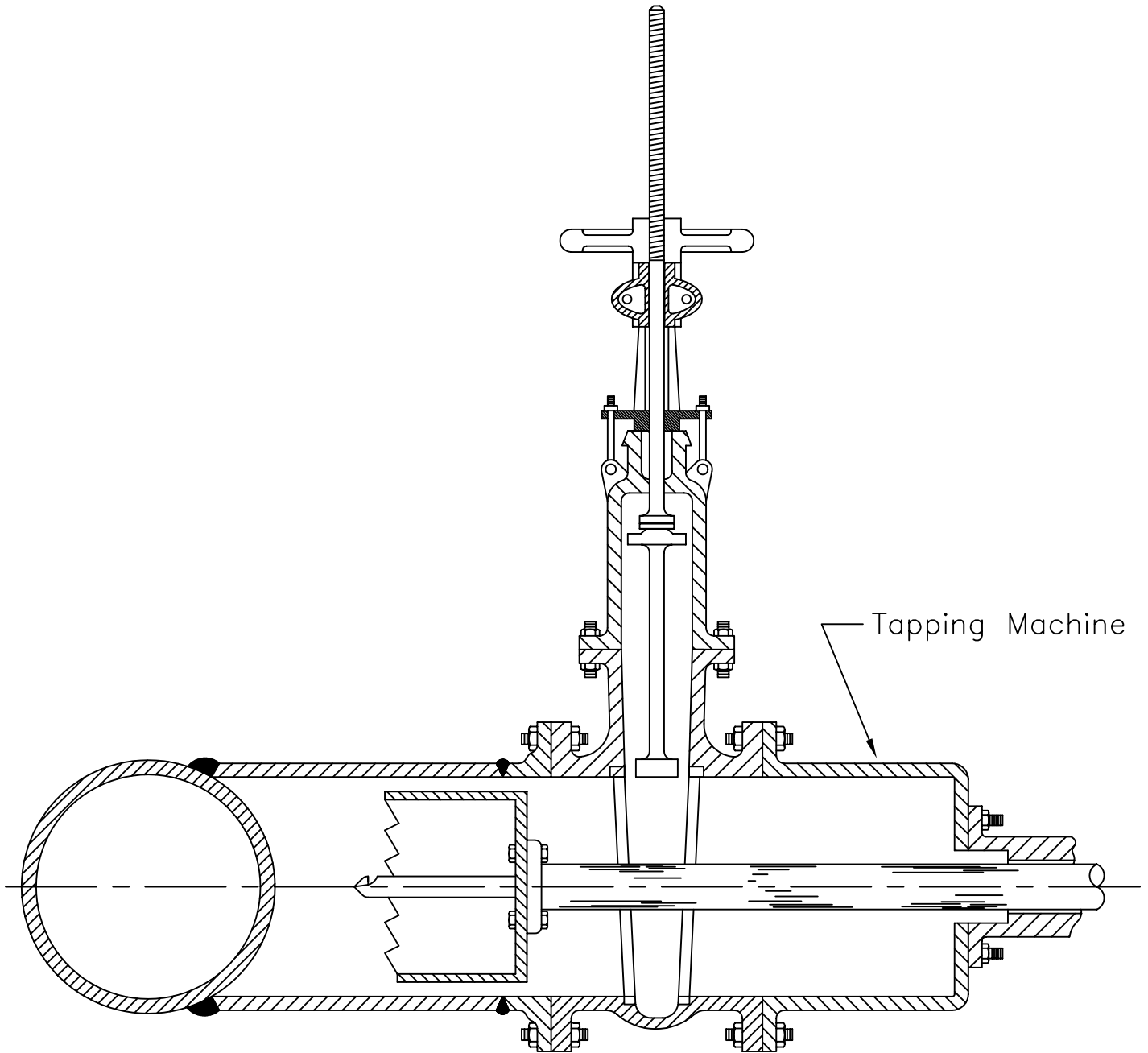




TAPPING TRAPS

No. 5

EXCESSIVE NOZZLE LENGTH



Limit of tapping machine travel.