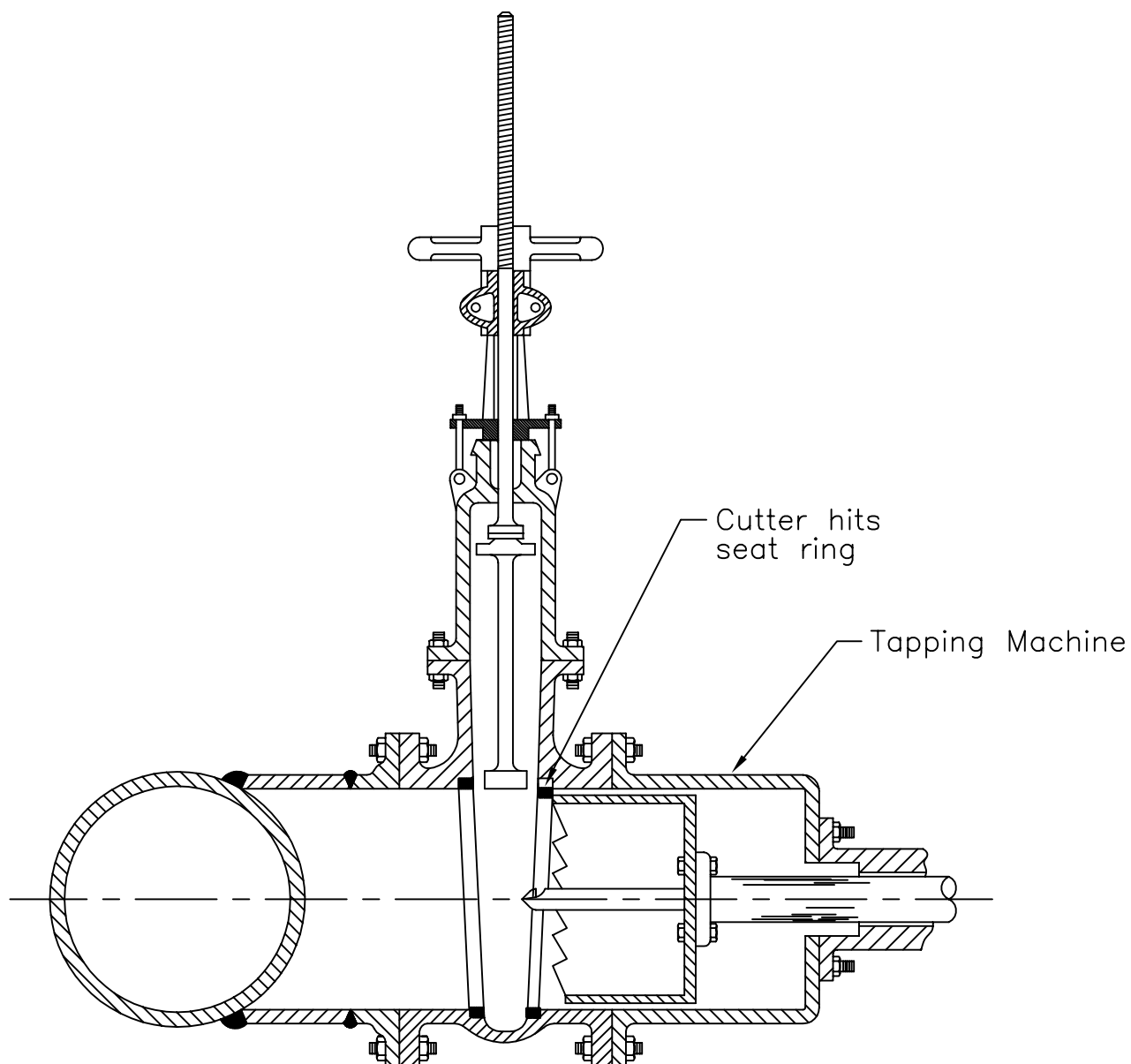




© Copyright 2000

TAPPING TRAPS No. 3

VALVE SEAT RINGS NOT CONCENTRIC
WITH VALVE FLANGE BOLT CIRCLE



PT-032
5/15/12