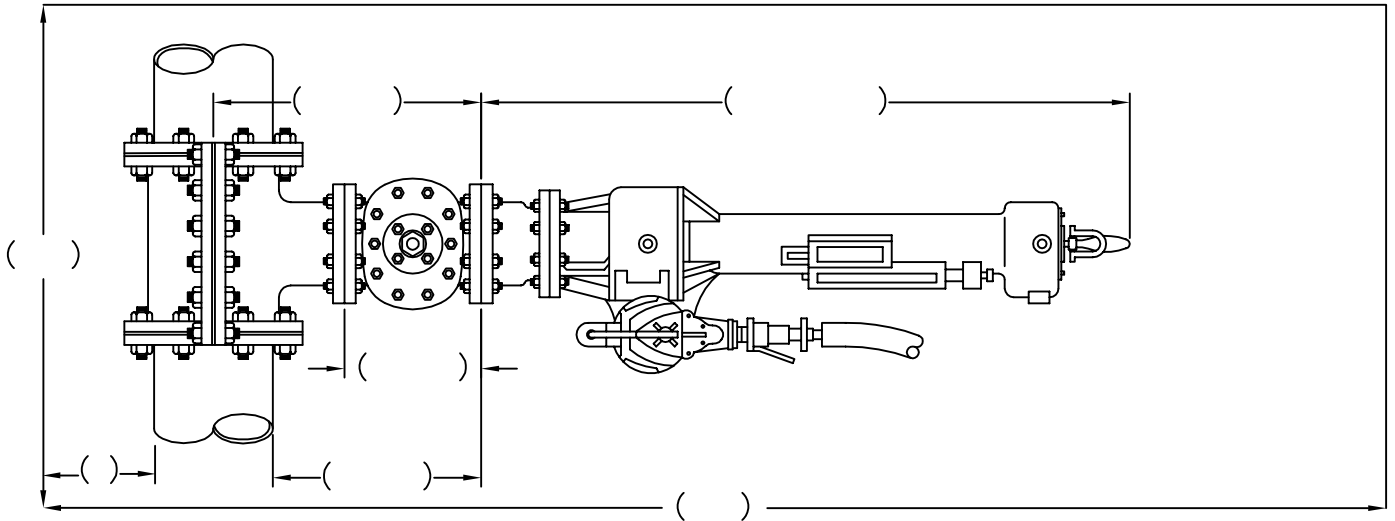




© Copyright 2001

LARGE WET TAPPING MACHINE
 4" THRU 20"
 MECHANICAL JOINT OUTLET
 & POWER SOURCE

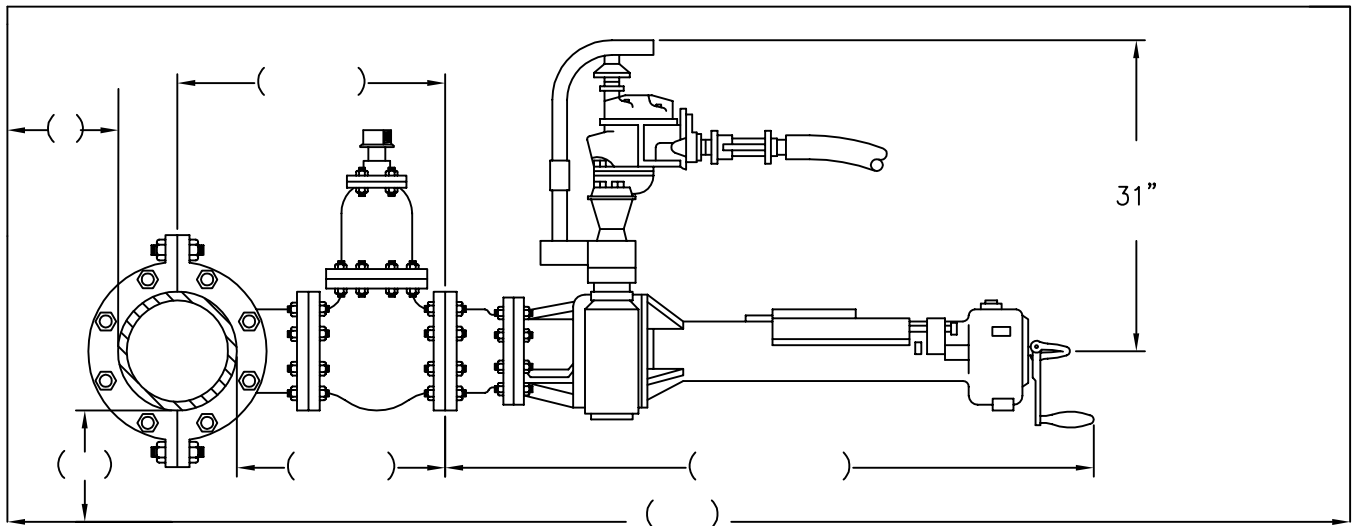
TOP VIEW



MAIN SIZE _____ X OUTLET SIZE _____

TAPPING MACHINE WEIGHT _____

SIDE VIEW



PT-005
 5/15/12